

# Assembly Instruction

# Tools Req


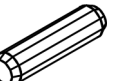




PI Ref No :	FPI09	Customer :	ALL
Issue No :	01	Item Code :	FPBK19 & FPDD19
Date :	28/02/19	Description :	1900H BOOKCASE & DD CARCASE ASSEMBLY INSTRUCTION

## Notes

THIS ASSEMBLY INSTRUCTION SERVICES BOTH THE FPBK19 & FPDD19. THERE MAY BE AN EXCESS LEFT OVER AFTER BUILD COMPLETION.

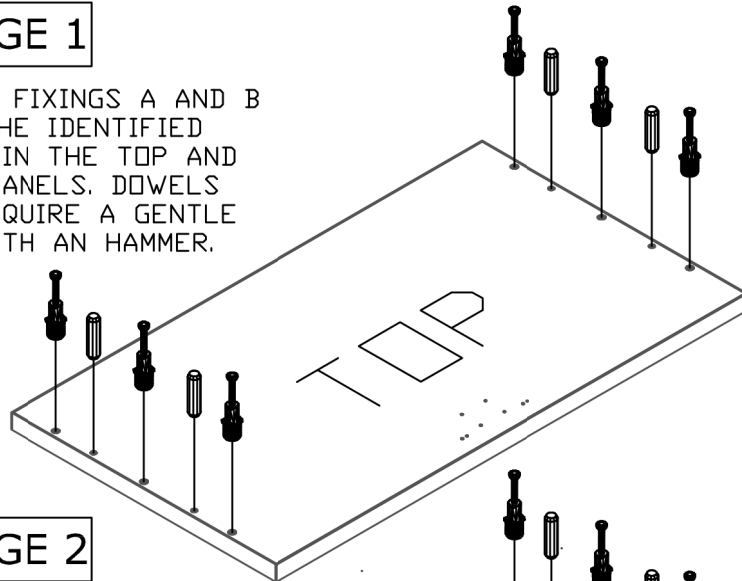


## Fittings & Fixings

-  (A) 34MM MINIFIX PIN  
20 REQUIRED  
CODE (PIN00001)
-  (B) 30MM DOWEL  
20 REQUIRED  
CODE (13-8X30-DOWL)
-  (C) MINIFIX CAM  
20 REQUIRED  
CODE (CAM00001)
-  (D) SHELF SUPPORT  
16 REQUIRED  
CODE (13-BK-STUD)
-  (E) ADJUSTABLE FOOT  
4 REQUIRED  
CODE (13-WS-FURN-GLIDE)
-  (F) SW4 ALLENKEY  
1 REQUIRED  
CODE (13-SW4A-KEY)

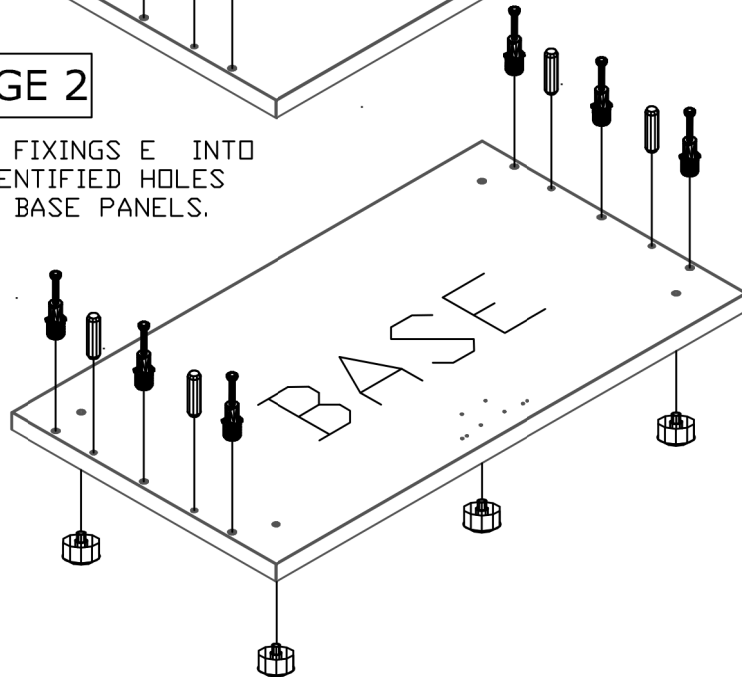
### STAGE 1

INSERT FIXINGS A AND B INTO THE IDENTIFIED HOLES IN THE TOP AND BASE PANELS. DOWELS MAY REQUIRE A GENTLE TAP WITH AN HAMMER.



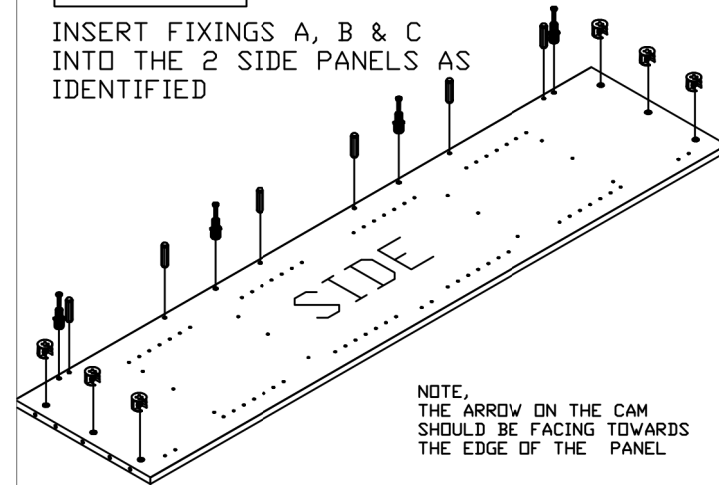
### STAGE 2

INSERT FIXINGS E INTO THE IDENTIFIED HOLES IN THE BASE PANELS.



### STAGE 3

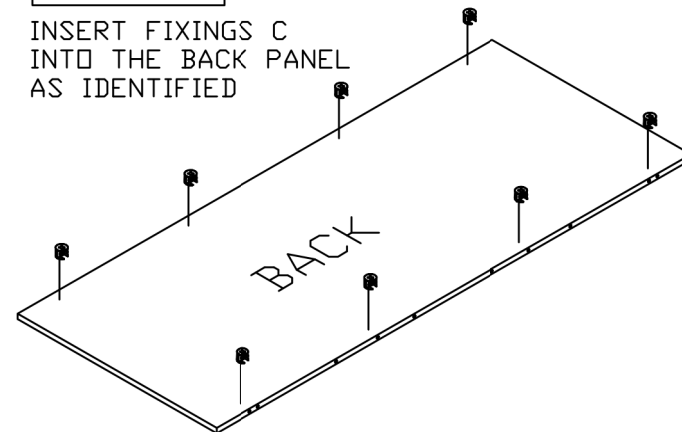
INSERT FIXINGS A, B & C INTO THE 2 SIDE PANELS AS IDENTIFIED



NOTE,  
THE ARROW ON THE CAM  
SHOULD BE FACING TOWARDS  
THE EDGE OF THE PANEL

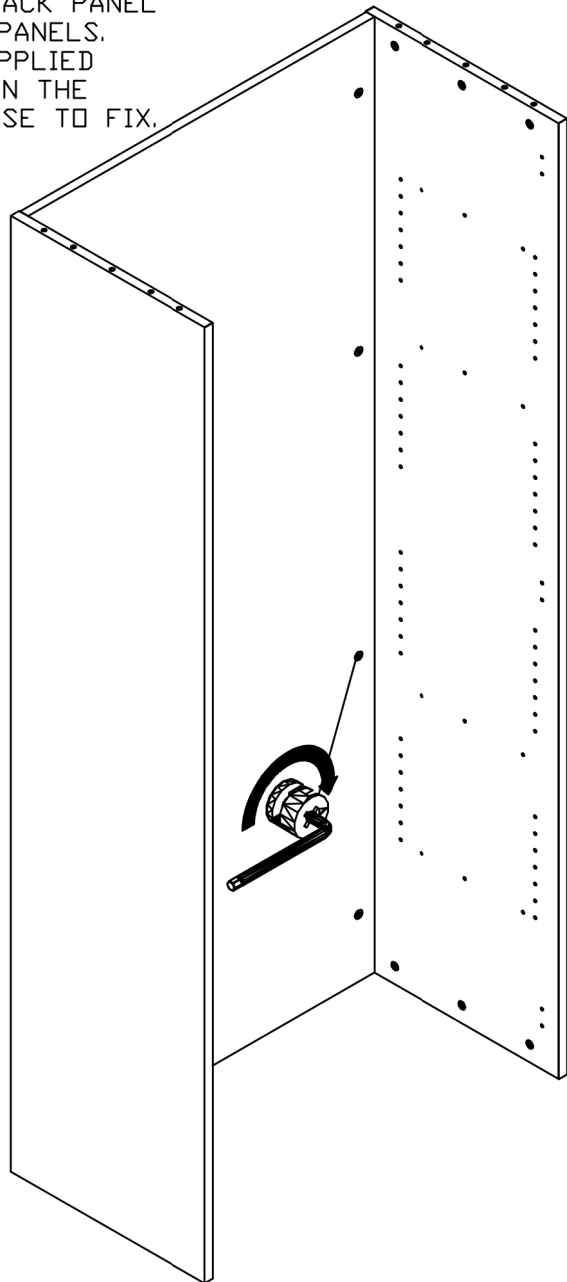
### STAGE 4

INSERT FIXINGS C INTO THE BACK PANEL AS IDENTIFIED



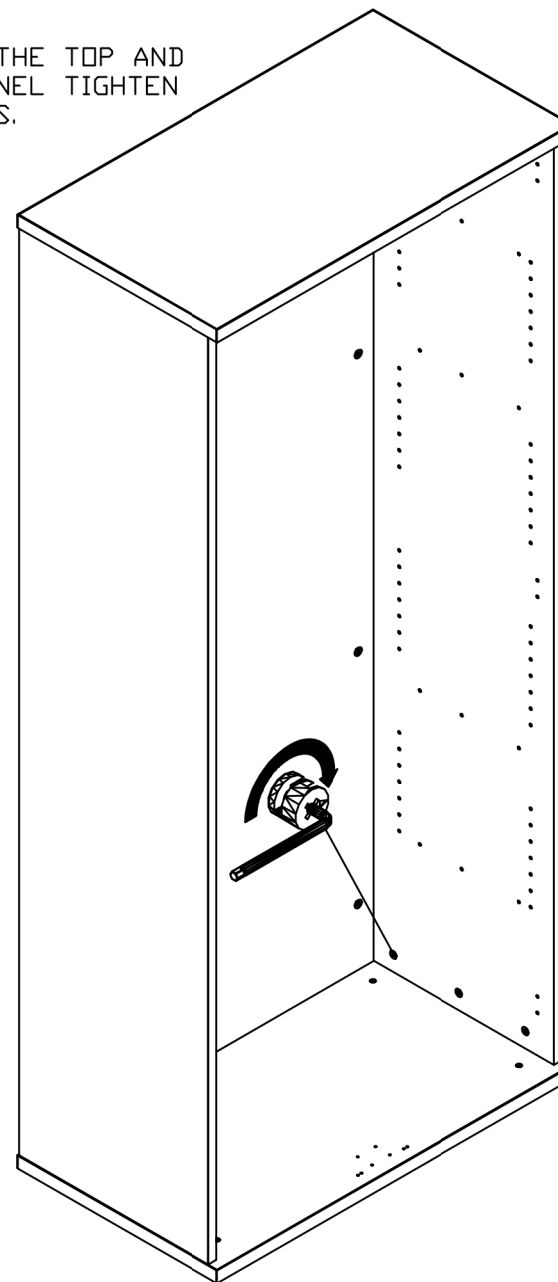
## STAGE 5

ATTACH THE BACK PANEL  
TO THE SIDE PANELS.  
USING THE SUPPLIED  
ALLENKEY TURN THE  
CAMS CLOCKWISE TO FIX.



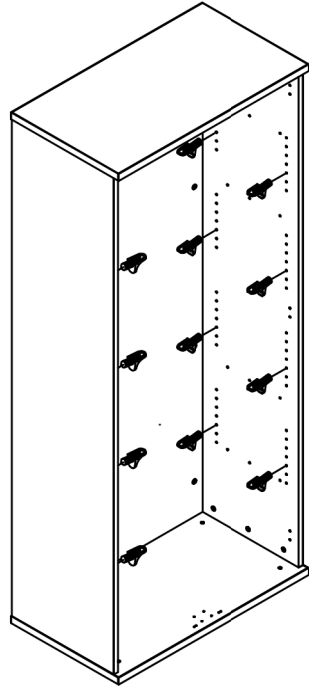
## STAGE 6

ATTACH THE TOP AND  
BASE PANEL TIGHTEN  
THE CAMS.



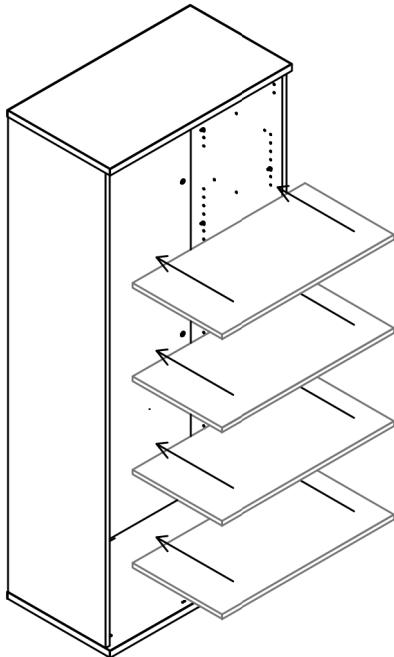
## STAGE 7

INSERT THE 16 SHELF SUPPORTS (FIXING D) INTO THE HOLES IN THE SIDE PANEL AT THE DESIRED HEIGHT. MAKE SURE ALL SUPPORTS ARE AT THE SAME HEIGHT



## STAGE 8

PLACE THE SHELF PANEL ON TO THE SUPPORTS



THE CABINET IS READY TO USE. IF PURCHASED AS A FULL CUPBOARD, PLEASE REFER TO THE DOOR ASSEMBLY INSTRUCTION LOCATED IN THE DOOR PACK

## STAGE 9

