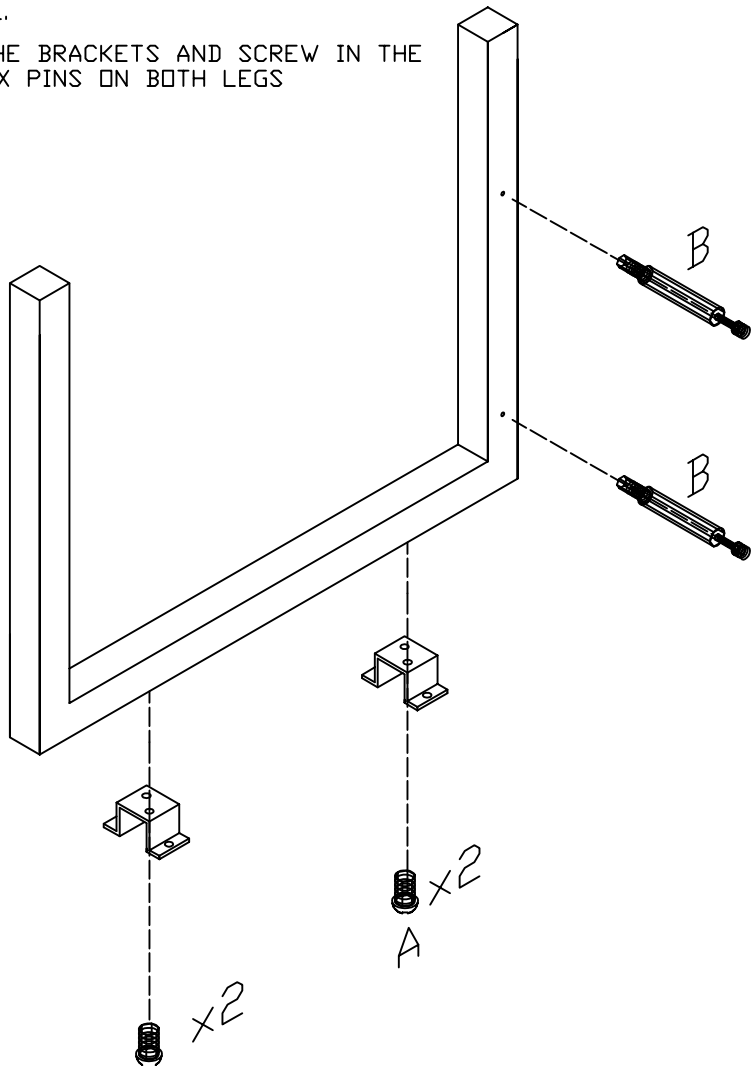


PART	QTY	DESCRIPTION
A	16	M6 X 10MM BOLT
B	4	34 MM MINIFIX CAM PIN

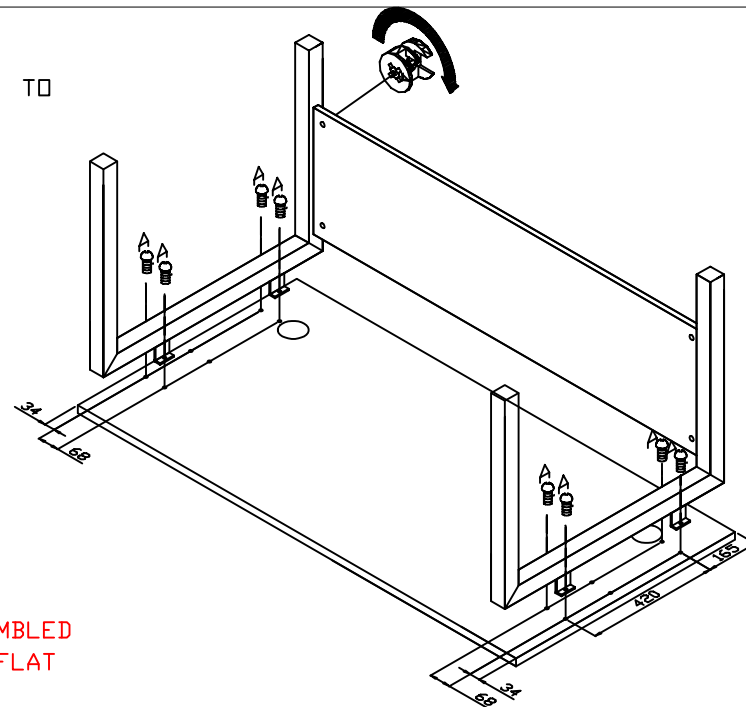
STEP 1.

FIX THE BRACKETS AND SCREW IN THE MINIFIX PINS ON BOTH LEGS



STEP 2

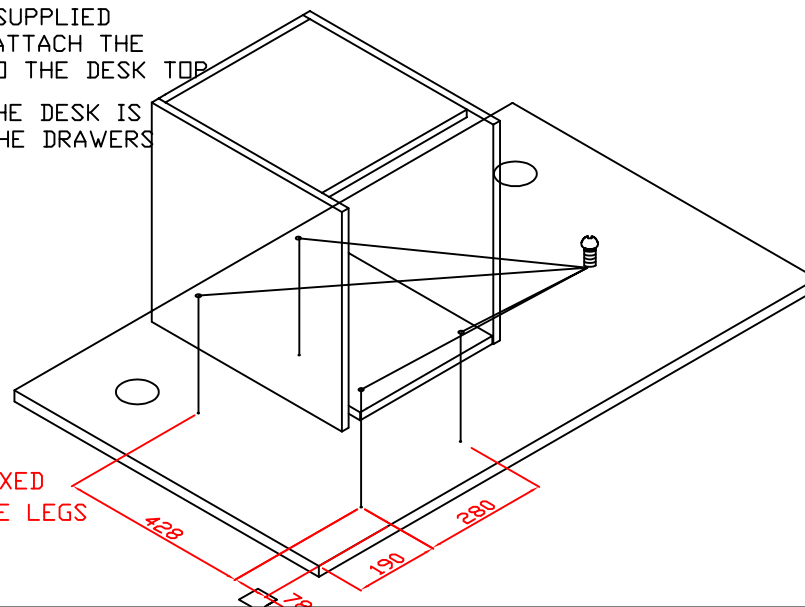
- 1, ATTACH THE LEGS TO THE MODESTY PANEL
- 2, ATTACH THE DESK TOP



DESK MUST BE ASSEMBLED UPSIDE DOWN ON A FLAT SURFACE

STEP 3 (ONLY APPLICABLE IF PEDESTAL DESK PURCHASED)

- 1, REMOVE THE DRAWERS
- 2, USING THE BOLTS SUPPLIED WITH THE PEDESTAL ATTACH THE PEDESTAL CARCASE TO THE DESK TOP
- 3, ONCE FIXED AND THE DESK IS UPRIGHT RE INSERT THE DRAWERS



PEDESTALS TO BE FIXED AFTER FIXING OF THE LEGS

EC06