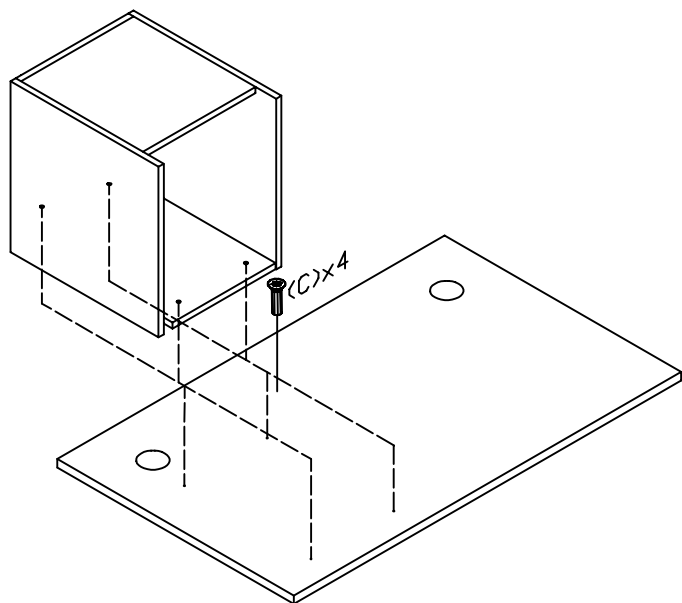


FIXINGS		
PART	QTY	DESCRIPTION
B	8	34MM MINIFIX BOLT
C	4	M6 X 30MM BOLT

INSTRUCTIONS

THE DESK SHOULD BE ASSEMBLED UPSIDE DOWN ON A CLEAN FLAT SURFACE

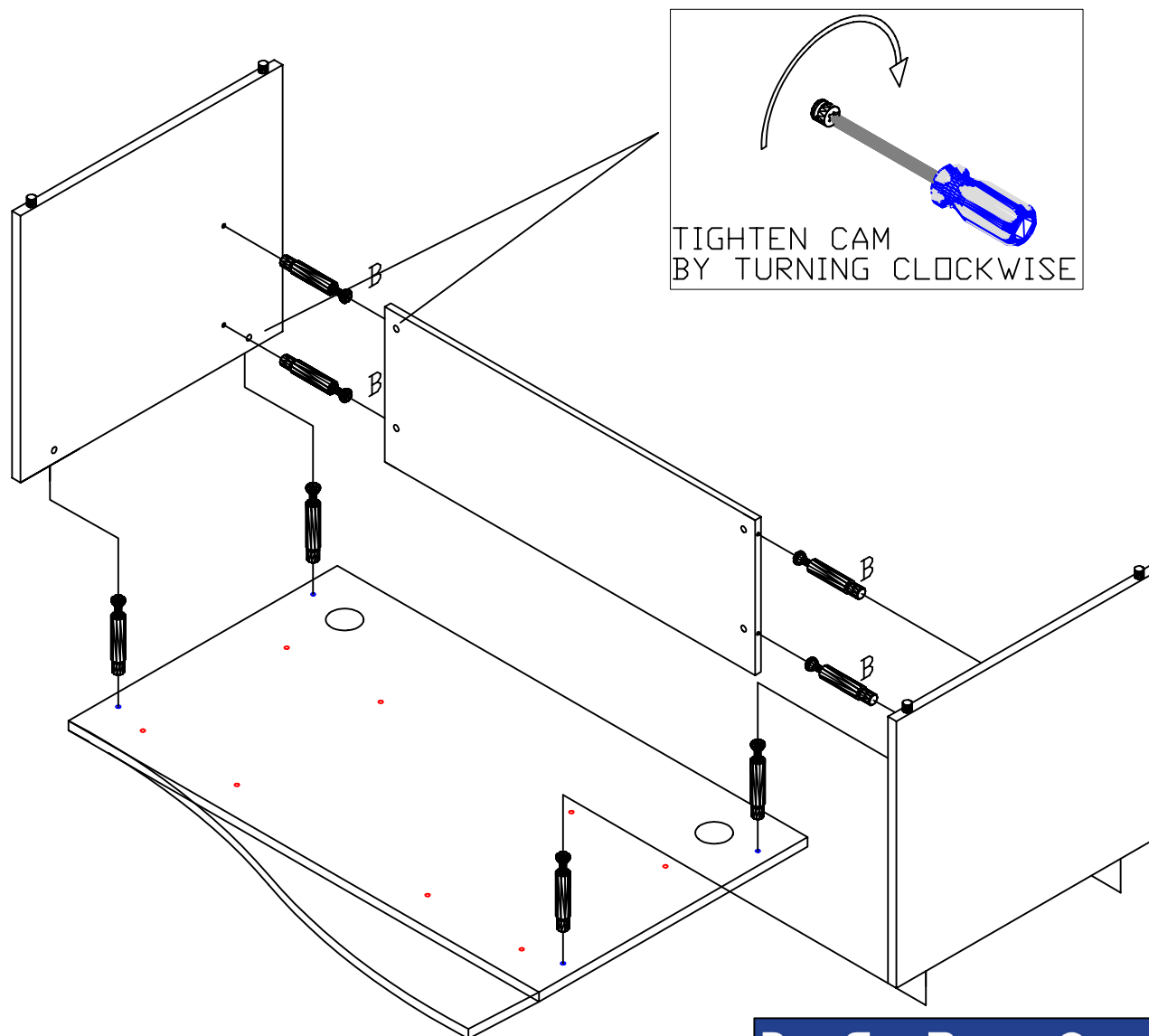
- 1, SEE PEDESTAL FIXING IF APPLICABLE
- 2, FIX THE MODESTY PANEL TO THE LEGS AND TIGHTEN THE CAMS THAT ARE PRE INSERTED INTO THE MODESTY PANEL
- 3, FIX THE LEGS AND MODESTY PANEL TO THE DESK TOP AND TIGHTEN THE CAMS
- 4, TURN THE DESK OVER (2 PERSON LIFT)
- 5, LEVEL THE DESK WITH THE ADJUSTABLE FEET



PEDESTAL FIX INSTRUCTIONS

- 1, REMOVE THE DRAWERS FROM THE PEDESTAL
- 2, ATTACH THE PEDESTAL CARCASE TO THE DESK USING THE SUPPLIED BOLTS (C)
- 4, FOLLOW THE DESK ASSEMBLY INSTRUCTIONS
- 5, PUT THE DRAWERS BACK INTO THE CARCASE.

VALPI



Valoir