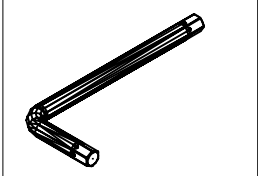


# 1 PERSON DESK

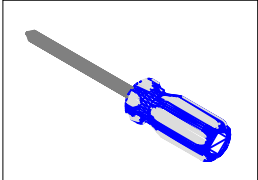
## PRODUCT CODES

R8LA1P12, R8LA1P14, R8LA1P16, R8LA1P18

## TOOLS REQUIRED





5mm ALLEN KEY (SUPPLIED)

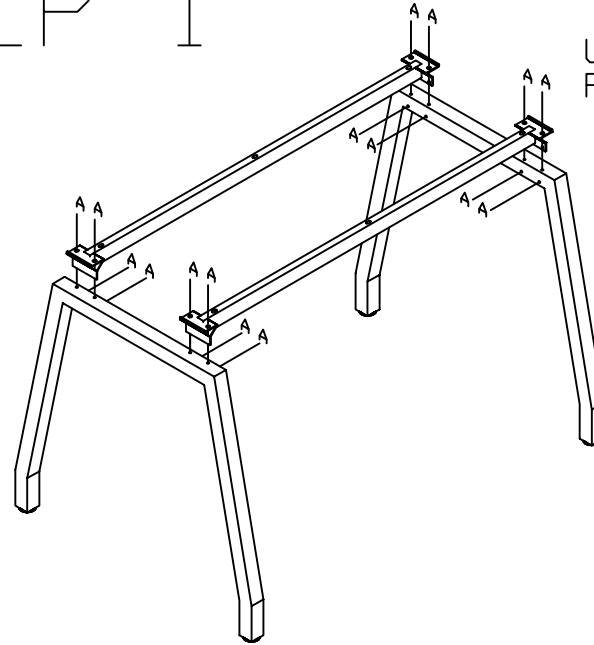


SCREW DRIVER (NOT SUPPLIED)

## FIXINGS

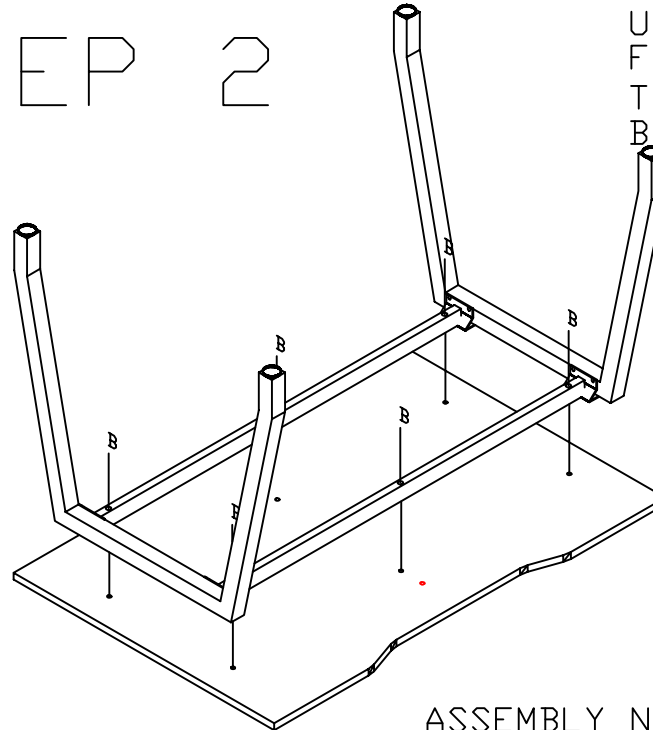
IMAGE	QTY	ITEM REF	DESCRIPTION
	16	A	M6 X 15MM BOLT
	6	B	M6 X 13MM BOLT 10mm HEX HEAD

## STEP 1



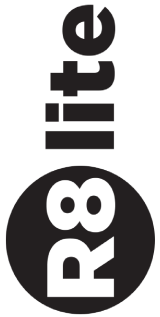
USING THE SCREWDRIVER  
FIX THE 2 CROSS BEAMS  
TO THE LEGS USING  
BOLT TYPE A

## STEP 2



USING THE ALLENKEY  
FIX THE DESKTOPS  
TO THE LEGS USING  
BOLT TYPE B

ASSEMBLY NAME - R8LAI012



TEL : 0844 800 9920