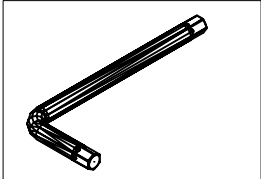


1 PERSON ADD ON DESK

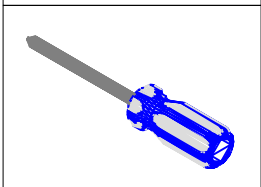
PRODUCT CODES

R8LA0U1P12, R8LA0U1P14,
R8LA0U1P16 & R8LA0U1P18

TOOLS REQUIRED






5mm ALLEN KEY (SUPPLIED)



SCREW DRIVER
(NOT SUPPLIED)

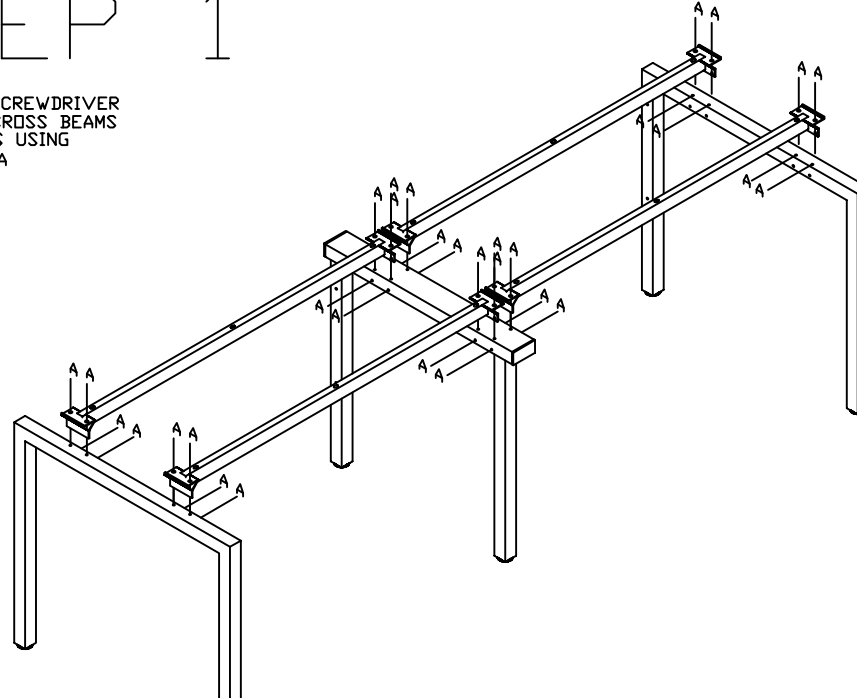
FIXINGS

qty's will increase depending
on no of additional desks

IMAGE	QTY	ITEM REF	DESCRIPTION
	34	A	M6 X 15MM BOLT
	10	B	M6 X 13MM BOLT 10mm HEX HEAD
	2	C	M6 X 55MM BOLT 10mm HEX HEAD

STEP 1

USING THE SCREWDRIVER
FIX THE 4 CROSS BEAMS
TO THE LEGS USING
BOLT TYPE A



STEP 2

1, FIX THE DELTA SHAPED BRACKET TO THE SHARED LEG
USING BOLT TYPE A AND SCREWDRIVER (FIG1)
2, USING THE ALLEN KEY FIX THE TOPS TO THE
LEGS USING BOLT TYPE B. THE LONGER TYPE C BOLTS
MUST BE USED FOR FIXING THROUGH THE DELTA
SHAPED BRACKET

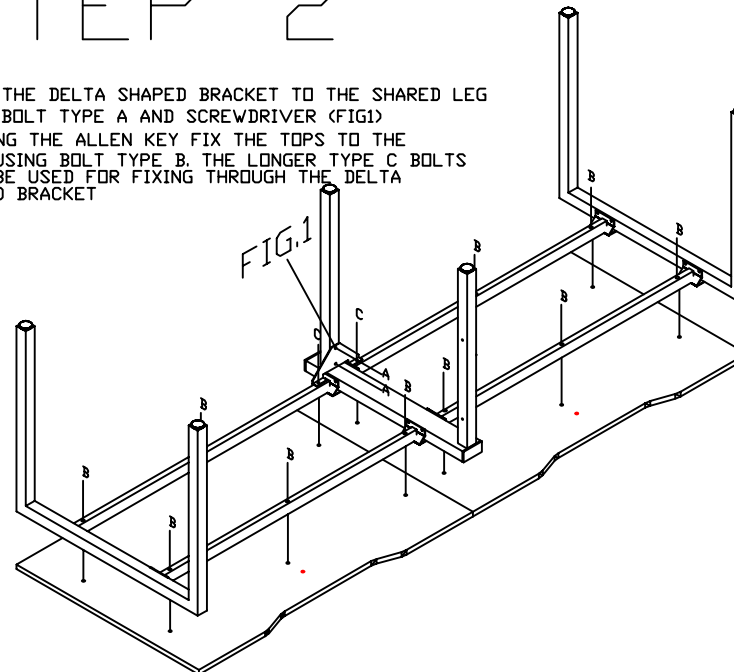
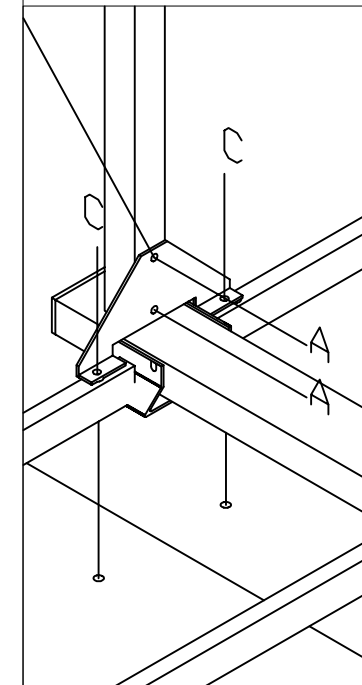


FIG.1



ASSEMBLY NAME - R8LAI002



TEL : 0844 800 9920