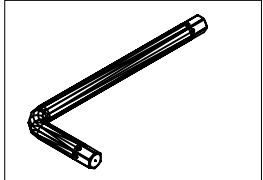


2 PERSON BACK TO BACK DESK

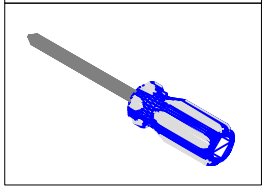
PRODUCT CODES

R8L2P12, R8L2P14, R8L2P16, R8L2P18

TOOLS REQUIRED





5mm ALLEN KEY (SUPPLIED)

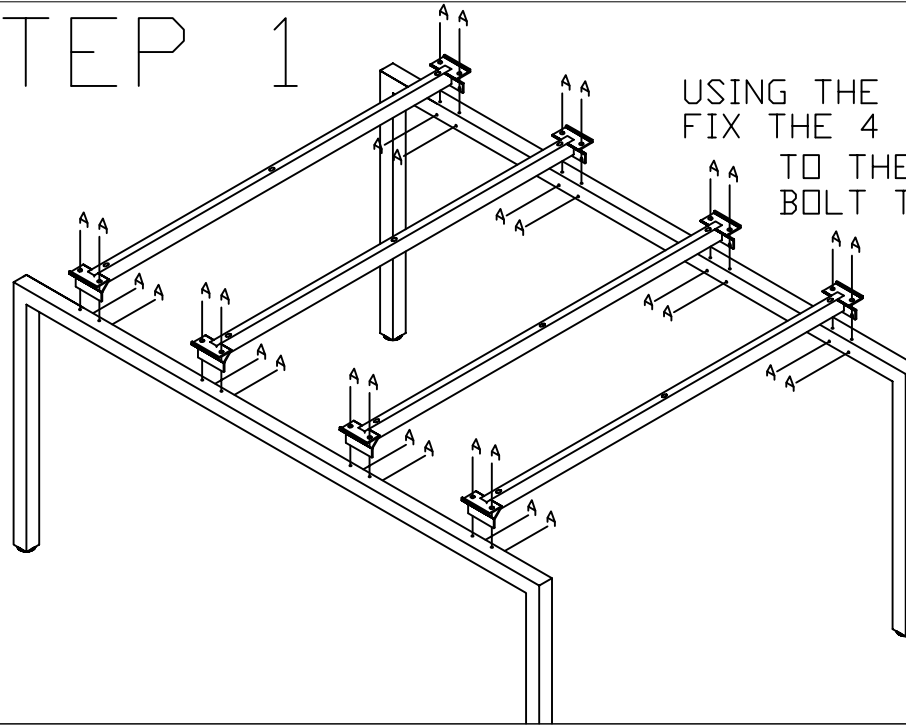


SCREW DRIVER
(NOT SUPPLIED)

FIXINGS

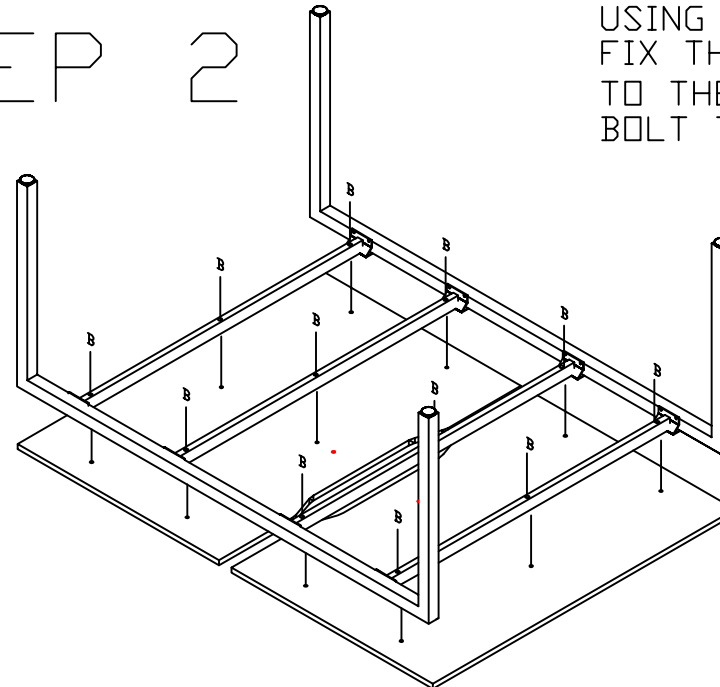
IMAGE	QTY	ITEM REF	DESCRIPTION
	32	A	M6 X 15MM BOLT
	12	B	M6 X 13MM BOLT 10mm HEX HEAD

STEP 1



USING THE SCREWDRIVER
FIX THE 4 CROSS BEAMS
TO THE LEGS USING
BOLT TYPE A

STEP 2



USING THE ALLENKEY
FIX THE DESKTOPS
TO THE LEGS USING
BOLT TYPE B



TEL : 0844 800 9920

ASSEMBLY NAME - R8LAI003