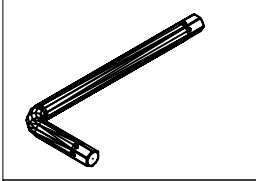


1 PERSON DESK

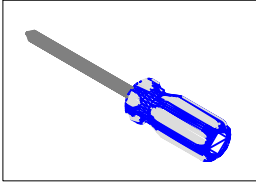
PRODUCT CODES

R8L1P12, R8L1P14, R8L1P16, R8L1P18

TOOLS REQUIRED





5mm ALLEN KEY (SUPPLIED)

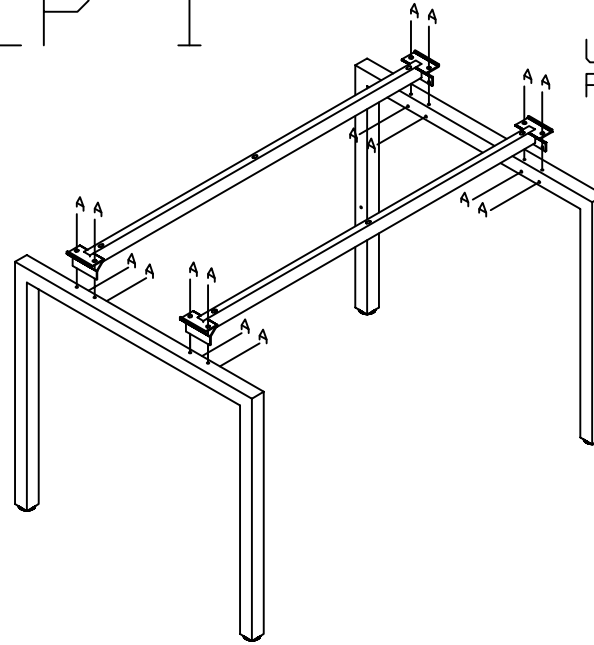


SCREW DRIVER (NOT SUPPLIED)

FIXINGS

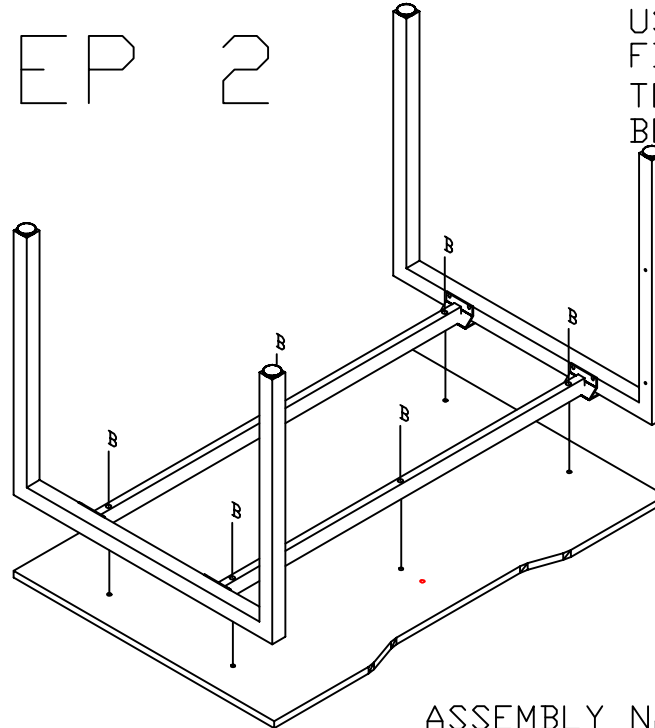
IMAGE	QTY	ITEM REF	DESCRIPTION
	16	A	M6 X 15MM BOLT
	6	B	M6 X 13MM BOLT 10mm HEX HEAD

STEP 1



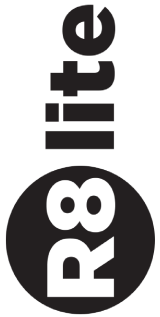
USING THE SCREWDRIVER
FIX THE 2 CROSS BEAMS
TO THE LEGS USING
BOLT TYPE A

STEP 2



USING THE ALLENKEY
FIX THE DESKTOPS
TO THE LEGS USING
BOLT TYPE B

ASSEMBLY NAME - R8LAI001



TEL : 0844 800 9920