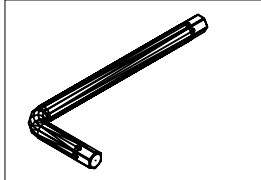


2 PERSON BACK TO BACK DESK

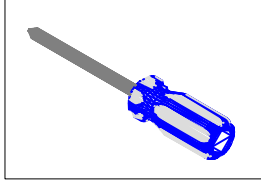
PRODUCT CODES

R8LH2P12, R8LH2P14, R8LH2P16, R8LH2P18

TOOLS REQUIRED





5mm ALLEN KEY (SUPPLIED)

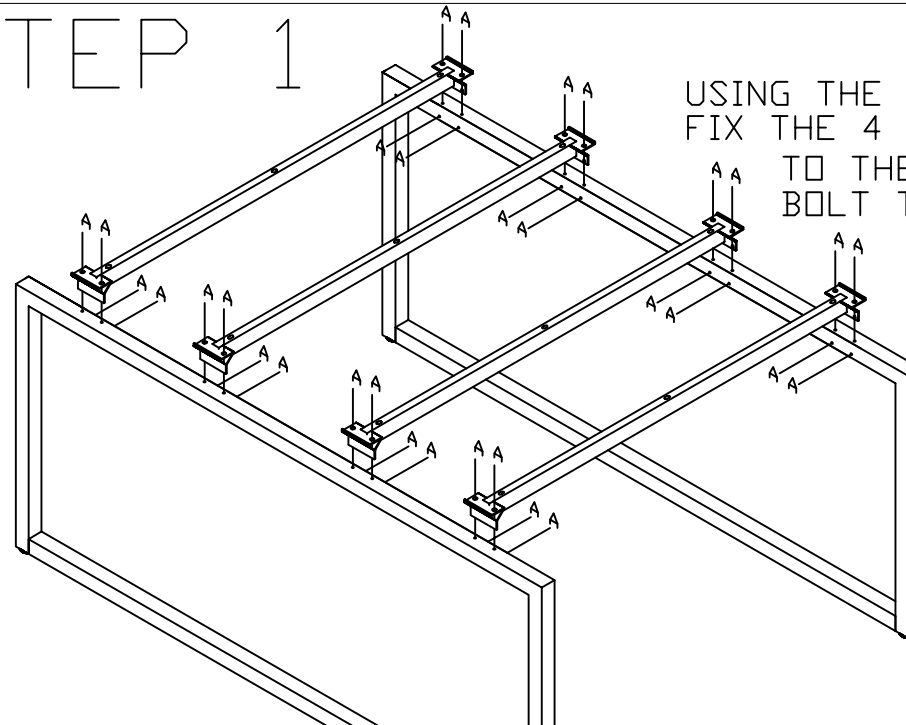


SCREW DRIVER
(NOT SUPPLIED)

FIXINGS

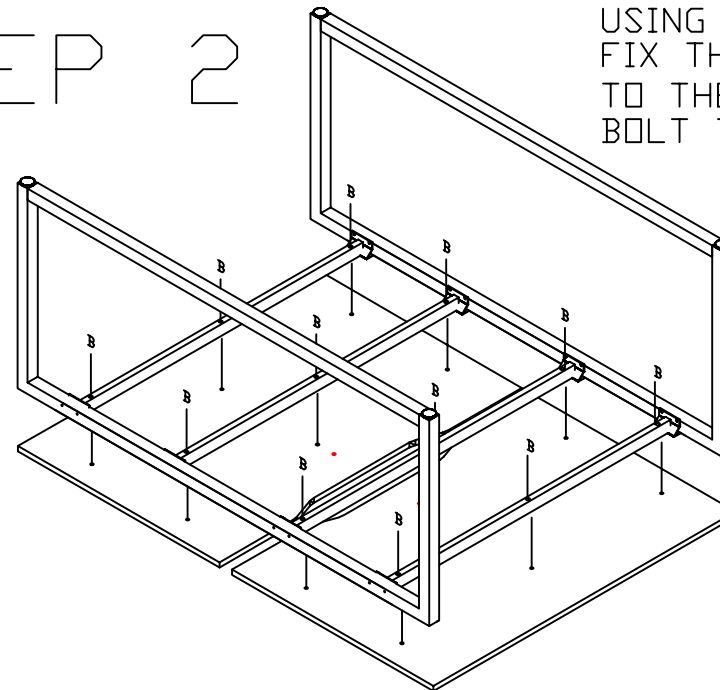
| IMAGE | QTY | ITEM REF | DESCRIPTION |
|--|-----|----------|---------------------------------|
|  | 32 | A | M6 X 15MM BOLT |
|  | 12 | B | M6 X 13MM BOLT 10mm HEX HEAD |
| | | | |

STEP 1



USING THE SCREWDRIVER
FIX THE 4 CROSS BEAMS
TO THE LEGS USING
BOLT TYPE A

STEP 2



USING THE ALLENKEY
FIX THE DESKTOPS
TO THE LEGS USING
BOLT TYPE B

R8lite

TEL : 0844 800 9920

ASSEMBLY NAME - R8LAI015