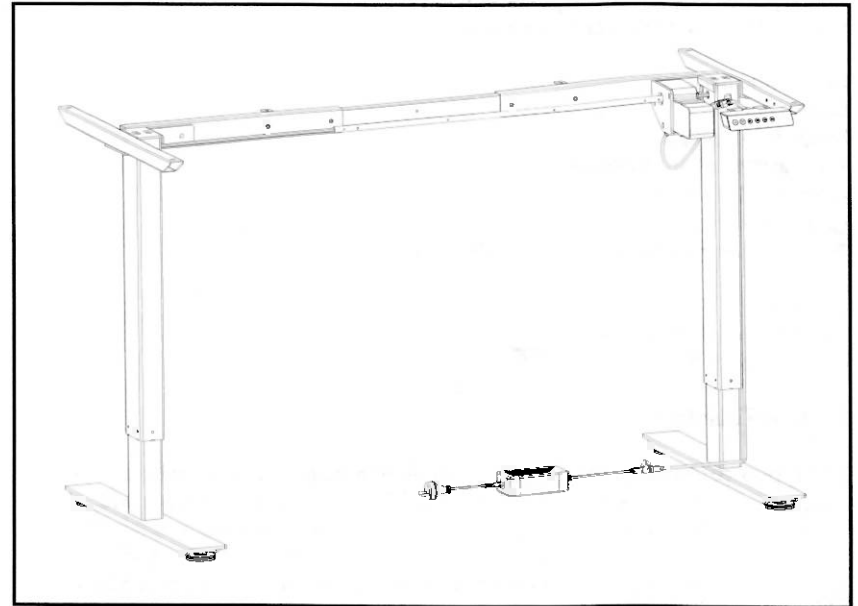


A2 series Electric Height adjustable desk frame



A2 series using instruction

## A2 series parameter instruction

### Electric Control Part:

Input Voltage:100-240V can be use  
Output Voltage:29V DC 1.8A  
Duty cycle:10%MAX 2min on 18 min off  
Switch power supply,low energy consumption  
Manual device can move and long press

### Desk frame part:

built-in limit switch  
Dynamic load:40KG  
The maximum static load:80KG  
Load speed:30mm/s  
Lift range:710mm---1190mm  
The length of the adjusting range:1150mm~1750mm

### Other part:

Packing Size : 1080\*270\*285mm 1Set  
Gross weight:32KG

### Safety and warnings

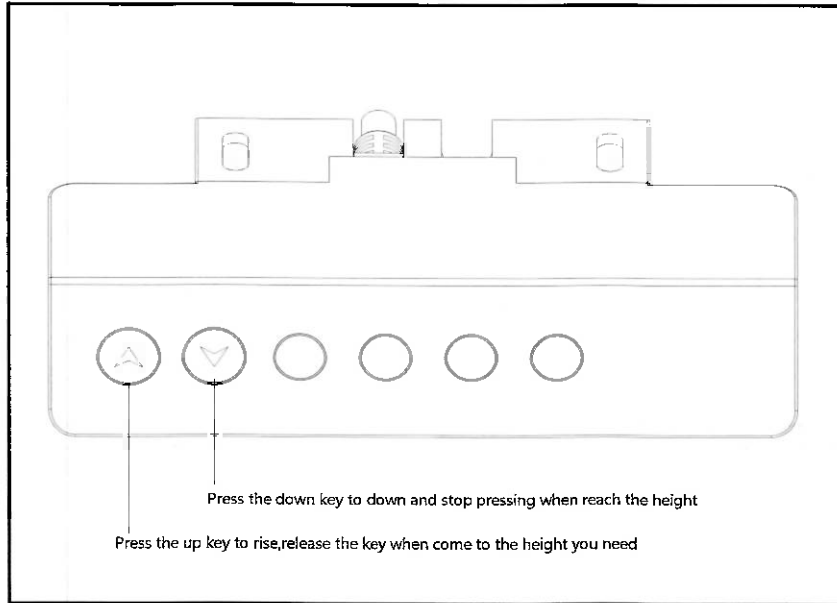
This appliance can be used by children aged from 8 years and above and persons with reduced physical,sensory or mental capabilities or lack of experience and knowledge if they have been given supervision or instruction concerning use of the appliance in a safe way and understand the hazards involved.Children shall not play with the appliance.Cleaning and user maintenance shall not be made by children without supervision.

### Correct Disposal of this product

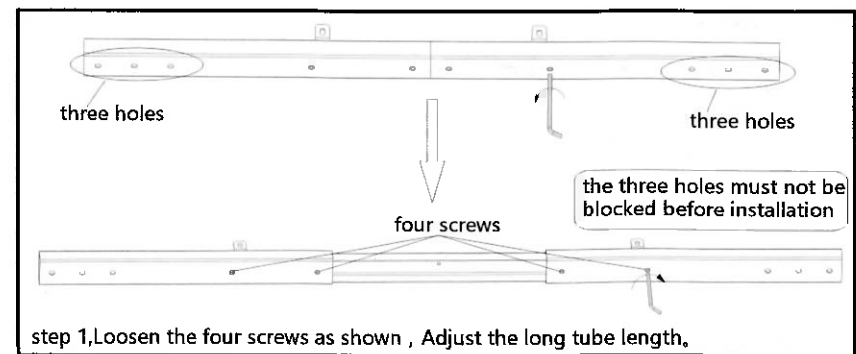
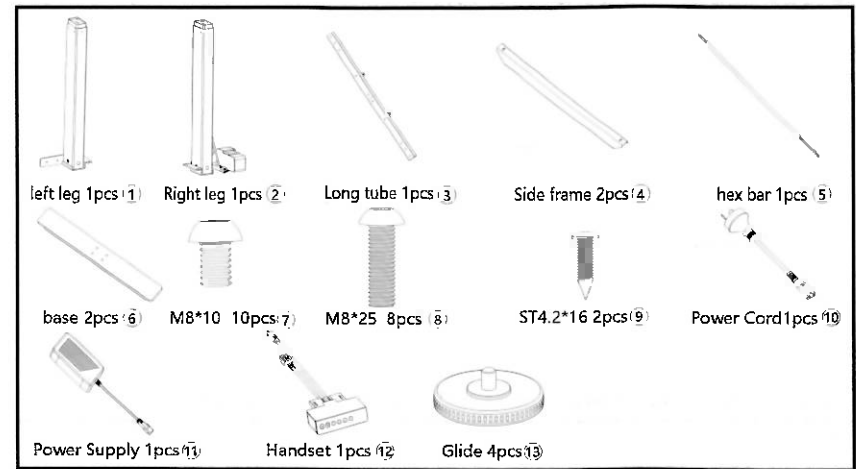
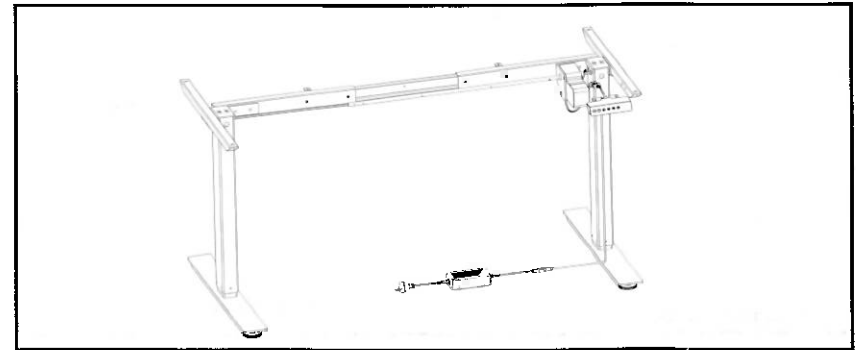


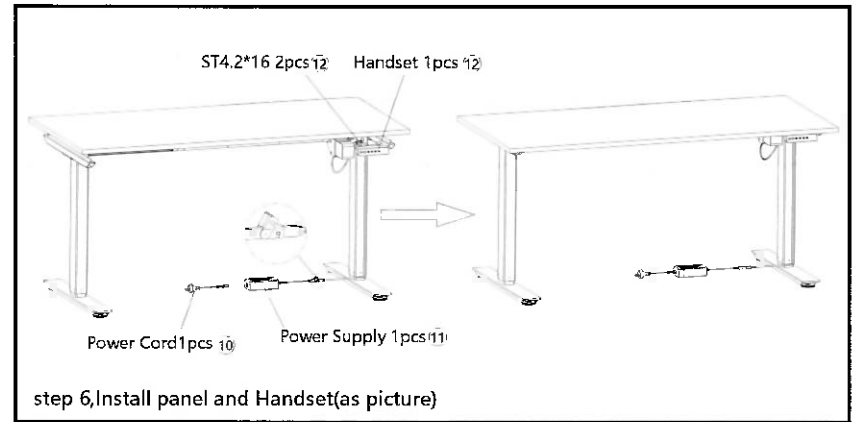
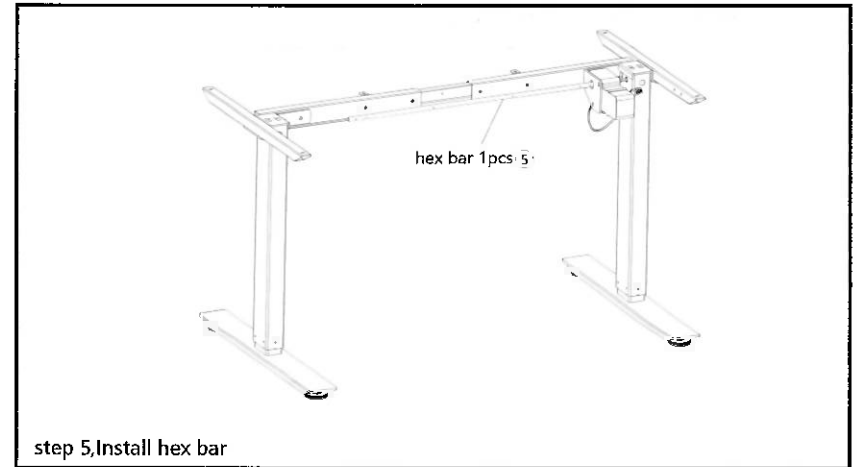
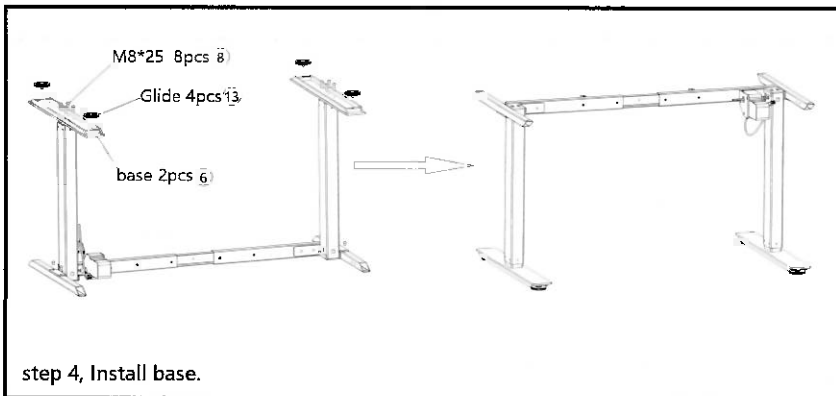
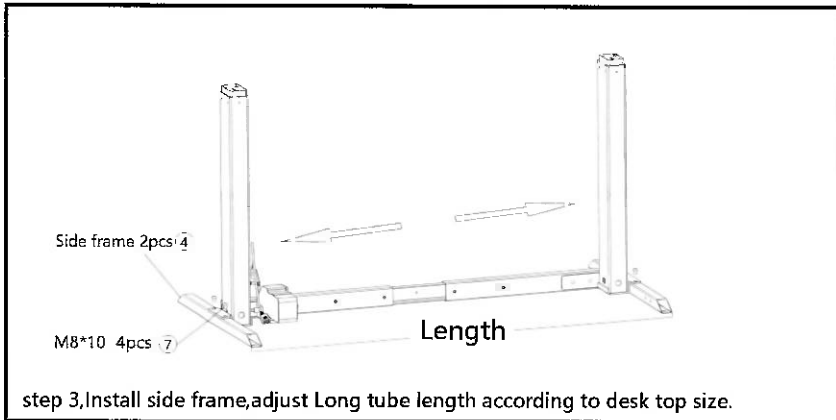
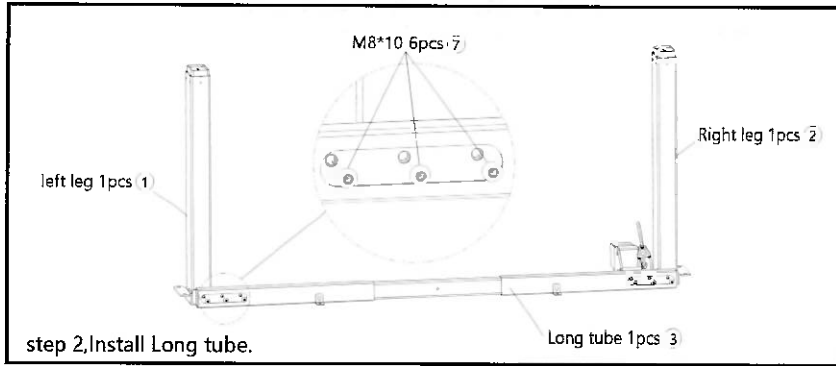
**This marking indicates that this product should not be disposed with other household wastes throughout the EU. To prevent possible harm to the environment or human health from uncontrolled waste disposal ,recycle it responsibly to promote the sustainable reuse of material resources.To return your used device,please use the return and collection systems or contact the retailer where the product was purchased.They can take this product for environmental safe recycling.**

# Handset Instruction



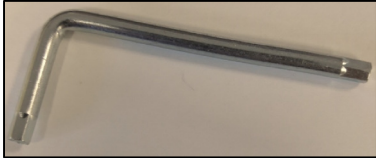
# Installation instruction






ECDREACT TOP ASSEMBLY

TOOLS REQUIRED



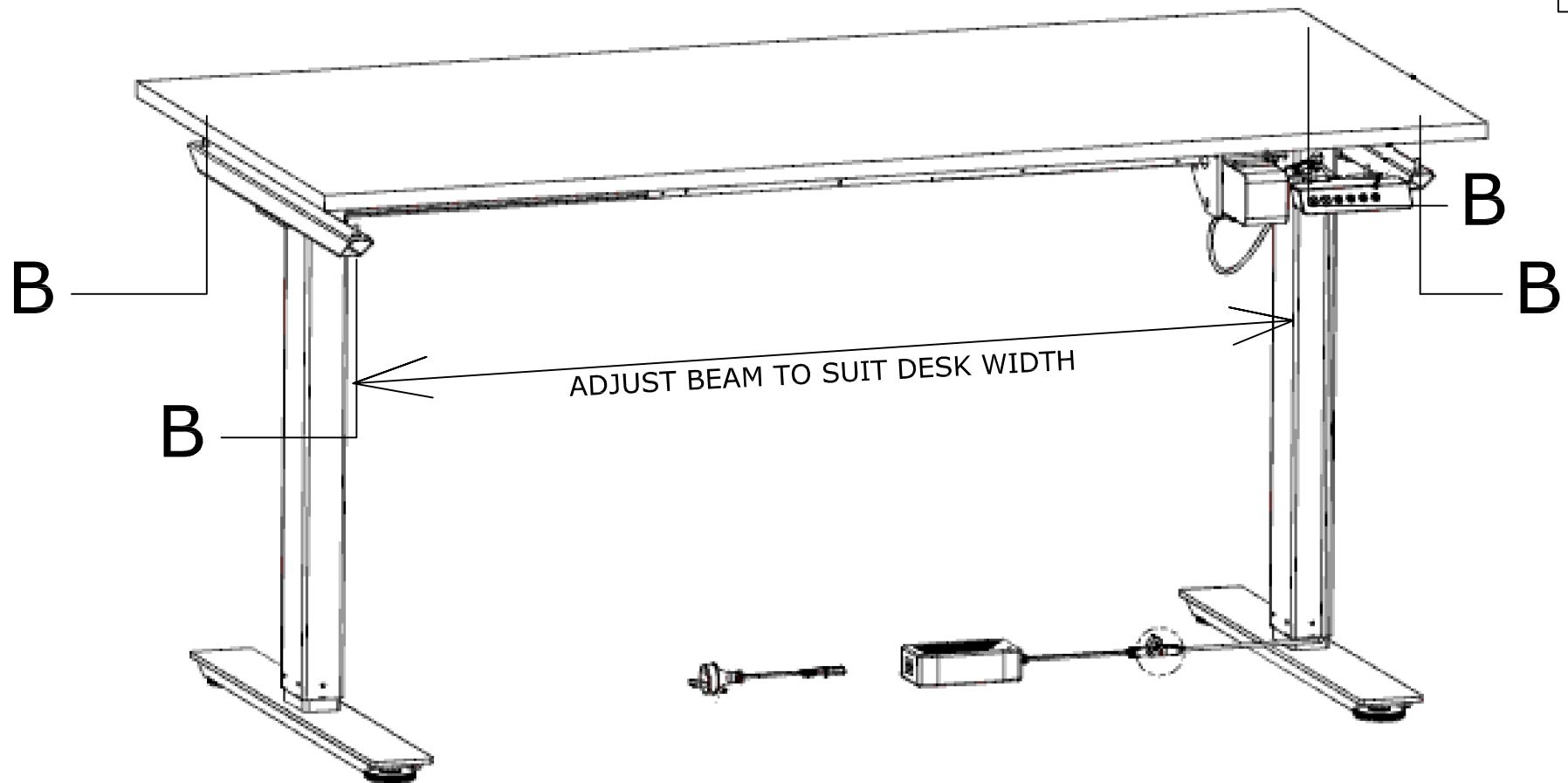
4 MM ALLEN KEY

FIXINGS

IMAGE	QTY	ITEM REF	ITEM CODE
	4	B	13-M6X15ZBOLT

HEX BOLT

ADJUST THE LENGTH OF THE DESK BEAM SO THE HOLES LINE UP WITH THE 4 NO THREADED INSERTS IN THE DESK TOP USING THE ALLEN KEY AND THE SUPPLIED BOLTS ATTACH THE DESK TOP TO THE FRAME.



ASSEMBLY NAME - ECDREACTASS



TEL : 0844 800 9920